



PRODOTTO ITALIANO

This instrument uses a tipping-bucket mechanism to produce a contact closure to measure rainfall quantity. This rain gauge is the base product suitable for general measurement applications. The orifice area features an aluminium removable filter and is compliant with W.M.O. (World Meteorological Organization) standards.

Transducer:	tipping-bucket with double contact (magnetic reed)
Orifice area:	400 cm ² (62 inch ²)
<u>Output signal:</u>	<u>contact on/off (impulse)</u>
Measuring range:	0 .. 300 mm/h
Sensitivity:	0,2 mm
Accuracy:	≤ 1 % at 24 l/h m ² (calibration intensity)
<u>Power supply:</u>	<u>no power required</u>
Leveling:	manual adjustment with bubble level
Operating temperature:	-10 .. +70 °C
External body material:	circular stainless steel
Base material:	galvanized aluminium alloy
Rain collects material:	galvanized aluminium (teflon [®] optional treatment)
Tipping-bucket material:	SS000AA galvanized aluminium (teflon [®] optional treatment)
Dimensions (LxH):	ø226x470 mm
Weight:	~ 8 Kg.

The product is C.E. compliant.

CABLE SPECIFICATIONS

Signal cable type:	shielded 3x0,25 mm
Standard length:	10 m





PRODOTTO ITALIANO

This instrument uses a tipping-bucket mechanism to produce a contact closure to measure rainfall quantity. This rain gauge is the base product suitable for general measurement applications. In this version, a heater element is provided inside the body of the gauge in order to avoid snow accumulation at the top of it.

The orifice area features an aluminium removable filter and is compliant with W.M.O. (World Meteorological Organization) standards.

Transducer:	tipping-bucket with double contact (magnetic reed)
Orifice area:	400 cm ² (62 inch ²)
<u>Output signal:</u>	<u>contact on/off (impulse)</u>
Measuring range:	0 .. 300 mm/h
Sensivity:	0,2 mm (or dissolved snow equivalent)
Accuracy:	≤ 1 % at 24 l/h m ² (calibration intensity)
<u>Heater power supply:</u>	<u>24 Vca - 150W</u>
Leveling:	manual adjustment with bubble level
Operating temperature:	-40 .. +70 °C
Heater system:	with automatic start/stop (regulation from 0 to +6 °C)
External body material:	circular stainless steel
Base material:	galvanized aluminium alloy
Rain collects material:	galvanized aluminium (teflon [®] optional treatment)
Tipping-bucket material:	SS000AA galvanized aluminium (teflon [®] optional treatment)
Dimensions (LxH):	ø226x470 mm
Weight:	~ 10 Kg.

The product is C.E. compliant.

CABLE SPECIFICATIONS

Signal cable type:	shielded 3x0,25 mm
Standard length:	10 m

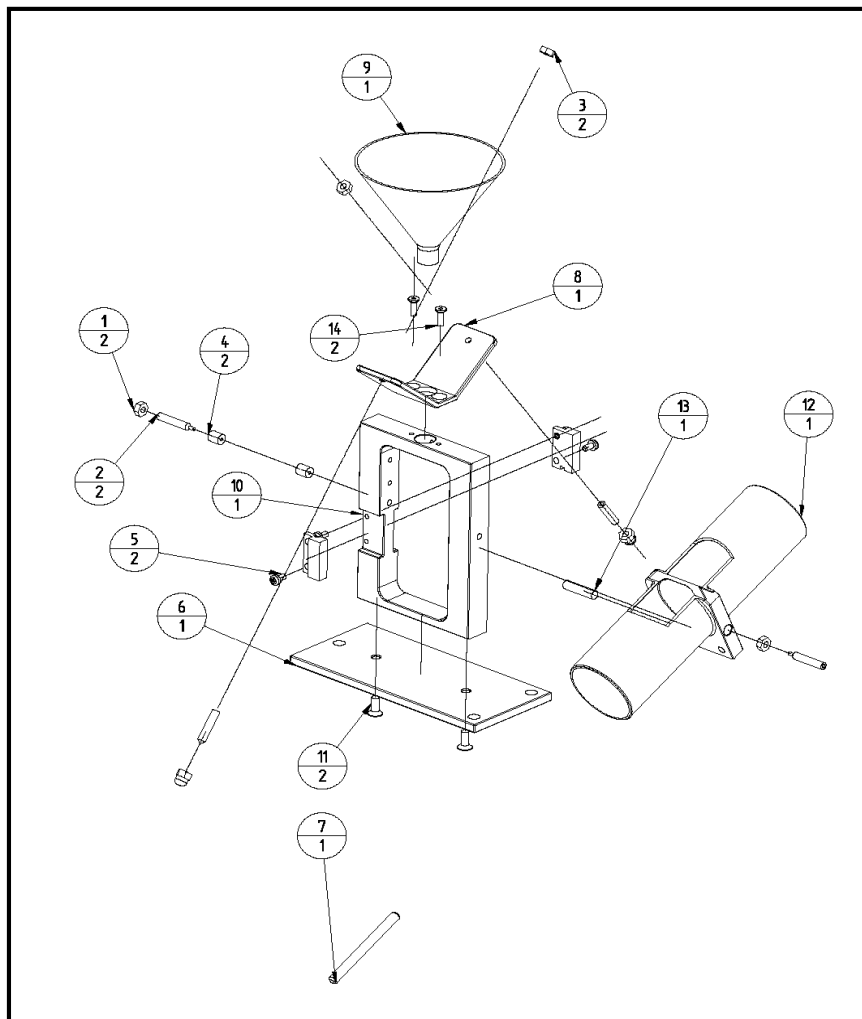




— —
PRODOTTO ITALIANO

Precision tipping-bucket with double contact designed for professional measurements of rainfall quantity. This transducer comes installed in our precipitation gauge models featuring 400 and 1,000 cm² capacity. The tipping-bucket is created in compliance with W.M.O. (World Meteorological Organization) standards.





Tipping-bucket exploded view

Transducer:	double contact magnetic reed
Output signal:	contact on/off (impulse)
Sensitivity:	0.2 mm standard/0.1 mm optional
Accuracy:	≤ 1 % at 24 l/h m ² (calibration intensity)
Leveling:	manual adjustment with bubble level
Material:	galvanized aluminium (teflon® optional treatment) with stainless steel oscillator pole and teflon® oscillation graft.
Dimensions (LxH):	149x164 mm
Weight:	~ 0,35 Kg.

The product is C.E. compliant.

